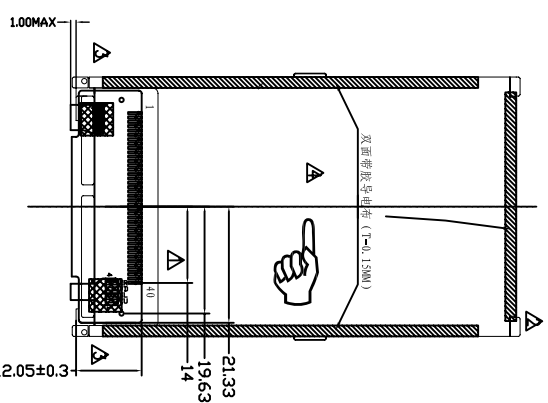
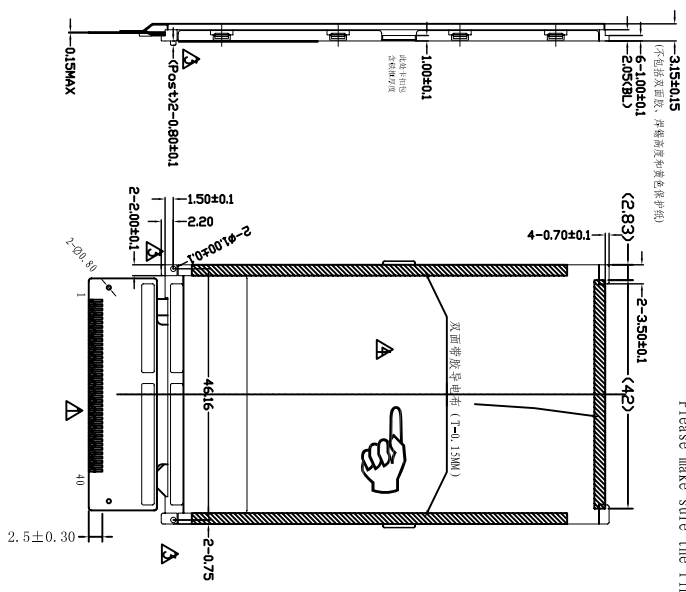
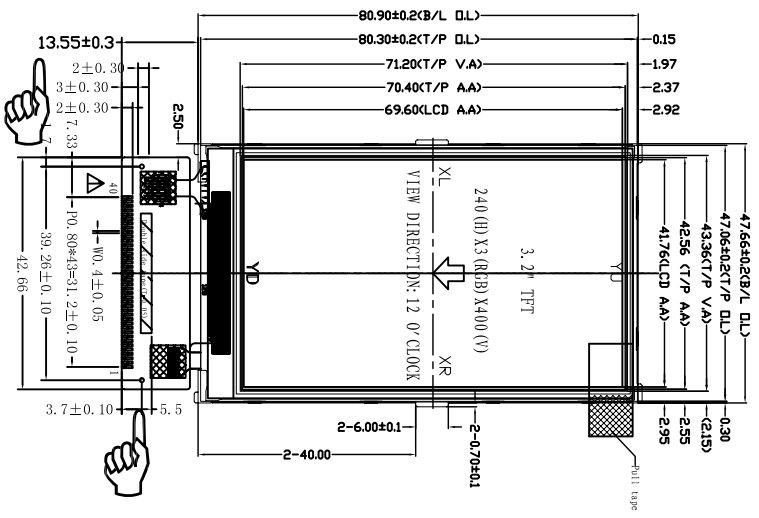


REV	REVISION RECORD	DATE	NAME
△	changed FPC	2013-03-15	COLIN
△	Add post	2013-03-15	COLIN
△	changed location of post	2013-03-18	COLIN
△	the Board don't open the window as shown in the figure.	2013-03-21	COLIN
△	Change NO MW description	2013-03-21	COLIN

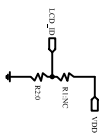


**NOTE:**  
 1. Vamds: 模块可视区域, 建议外壳可视区域比 Vamds 单边小 0.3mm 并保证在 AAA 区之间  
 2. 客户面壳压贴 TP 位应保证与 TP 面不能有胶水粘贴, 以保证 TP 使用性能



Display Type	TFT	IM1	IM0	定义
NORMAL WHITE				
TRANSMISSIVE				
Main driver IC	IL9327	0	0	18位: DB17-DB0
Resolution	240X320	0	1	低9位: DB8-DB0
Viewing Angle	120° CLOCK	1	0	16位: DB15-DB0
Operation Voltage	VDD=2.80 V	1	0	低3位: DB7-DB0
Storage Temperature	-20°C TO 70°C			
Operation Temperature	-30°C TO 80°C			
Connector	***			
Interface	MIPI			
Backlight Color	WHITE			
Backlight Forward Voltage	Vf=19.2V If=20mA			

**BACKLIGHT CIRCUIT**



1	GND
2	YD
3	XL
4	YU
5	XR
6	GND
7	IM0
8	IM1
9	EMARK/NC
10	LEDPW/NC
11	LCM_ID
12	RESET
13	RES17
14	DB16
15	DB15
16	DB14
17	DB13
18	DB12
19	DB11
20	DB10
21	DB9
22	DB8
23	DB7
24	DB6
25	DB5
26	DB4
27	DB3
28	DB2
29	DB1
30	DB0
31	RD
32	WR
33	RS
34	CS
35	GND
36	OVCC1(R2AW)
37	VCC(VCL2.8V)
38	NC
39	A
40	K

Display Type	TFT
Main driver IC	IL9327
Resolution	240X320
Viewing Angle	120° CLOCK
Operation Voltage	VDD=2.80 V
Storage Temperature	-20°C TO 70°C
Operation Temperature	-30°C TO 80°C
Connector	***
Interface	MIPI
Backlight Color	WHITE
Backlight Forward Voltage	Vf=19.2V If=20mA

The module is consistent to Rohs principles

**HWUARY**

VERSION	TOLERANCE SCALE	MATERIAL	FINISH	MODEL NAME	TITLE
1.4	±0.2			HDST032WGA A3	OUTLINE
DATE	APPROVED	CHECKED	DRAWN	FILE NAME	
2013-03-21					